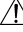


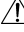


GENUINE LUGGAGE TIE DOWN HOOK

INSTALLATION AND USER'S INSTRUCTIONS

Thank you for purchasing a genuine Mazda accessory.
Before removal and installation, be sure to thoroughly read these instructions.
Please read the contents of this booklet in order to properly install and use the luggage tie down hook. Your safety depends on it.
Keep these instructions with your vehicle records for future reference.

WARNING

- There are several  **WARNING** and  **CAUTION** sections in this booklet concerning safety when installing or removing the luggage tie down hook. Always read and follow them in order to prevent injuries, accidents, and possible damage to the vehicle.
 -  **WARNING:** Indicates a situation in which serious injury or death could result if the warning is ignored.
 -  **CAUTION:** Indicates a situation in which bodily injury or damage to the vehicle could result if the caution is ignored.
- For areas indicating the tightening torque in this instruction manual, tighten to the specified torque using a torque wrench. For areas in which the tightening torque is indicated inside parentheses (), the tightening torque is indicated as a reference value, however tightening using a torque wrench is not necessary.
- Do not modify the luggage tie down hook.
- Do not install the luggage tie down hook in any way other than described in the following instructions.
- If in any doubt, please ask your Mazda dealer to install the accessory in order to prevent errors in installation.
- If you have any questions about the use of the accessory, ask your Mazda dealer for proper advice before using it.
- Mazda and its suppliers are not responsible for injuries, accidents, and damage to persons and property that arise from the failure of the dealer or installer to follow these instructions.
- To ensure safety and reliability of the work, installation, removal and disposal work must be carried out by an Authorized Mazda Dealership.
- Be careful not to lose removed parts, and be sure that they are kept free from scratches, grease or other dirt.

PART NAME: LUGGAGE TIE DOWN HOOK
PART NUMBER: BHN9 V0 520
VEHICLE: MAZDA3 (5HB)

NOTE

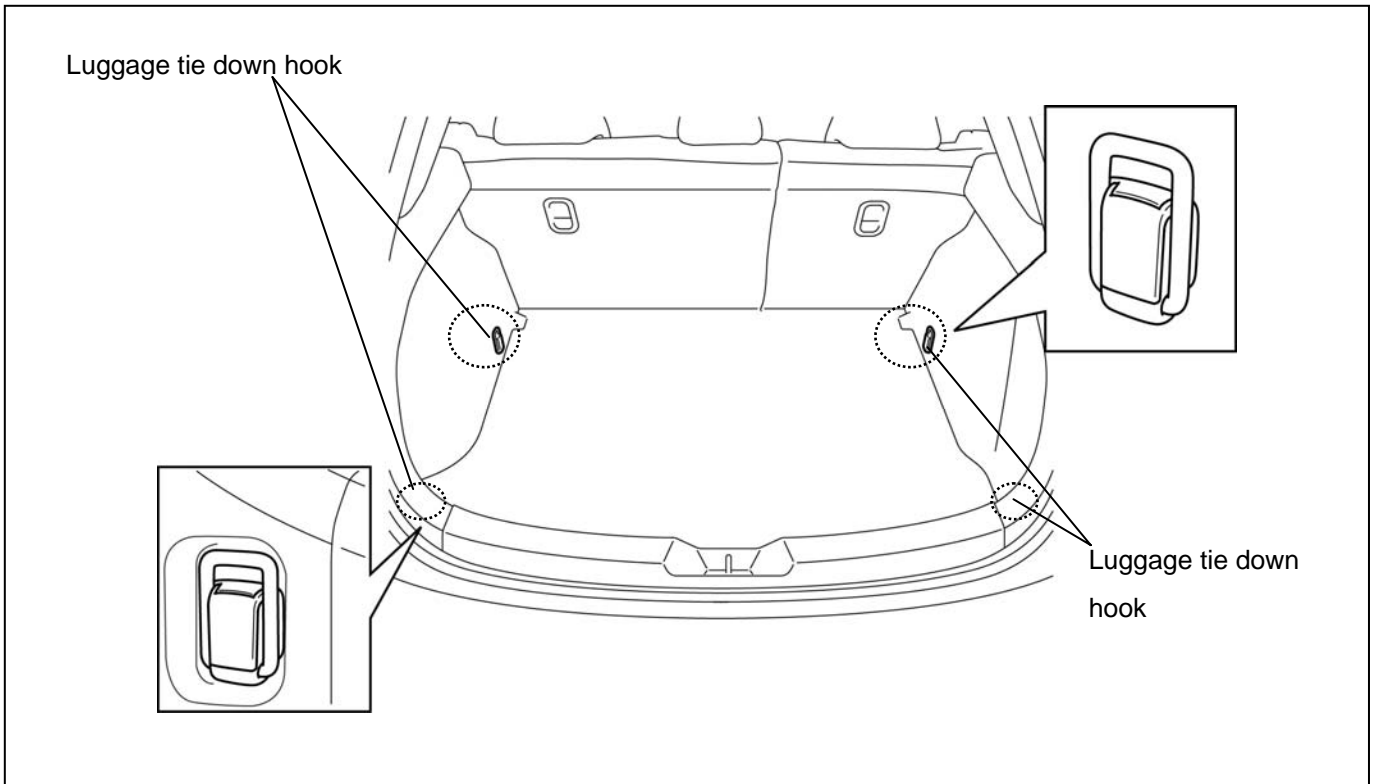
To the dealer

- Please turn over these instructions to the customer after installation.

To the customer



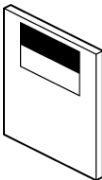
- Keep these instructions after installation. The instructions may be necessary for installing other optional parts or removal of this accessory.
- Should the vehicle or this accessory be resold, always leave these instructions with it for the next owner.

1. INSTALLATION VIEW



2. PARTS

- Before installation, verify that the kit includes all the following parts and that they are free of dirt, scratches, or damage.

Part	Part name	Qty	Part	Part name	Qty
	Luggage tie down hook	4		Bolt	4
	Installation and user's instructions (Three languages: English, French, Spanish)	1ea.			

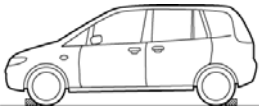
3. BEFORE INSTALLATION

■ REQUIRED TOOLS

☆ Flathead screwdriver ☆ Socket wrench (10 mm) ☆ Torque wrench ☆ Soft, clean cloth

⚠ WARNING

Park the vehicle on a flat, level surface, set the selector lever to P (AT vehicles) or the shift lever to 1st or R (MT vehicles), apply the parking brake and block the wheels so that the vehicle does not move during installation.



⚠ CAUTION

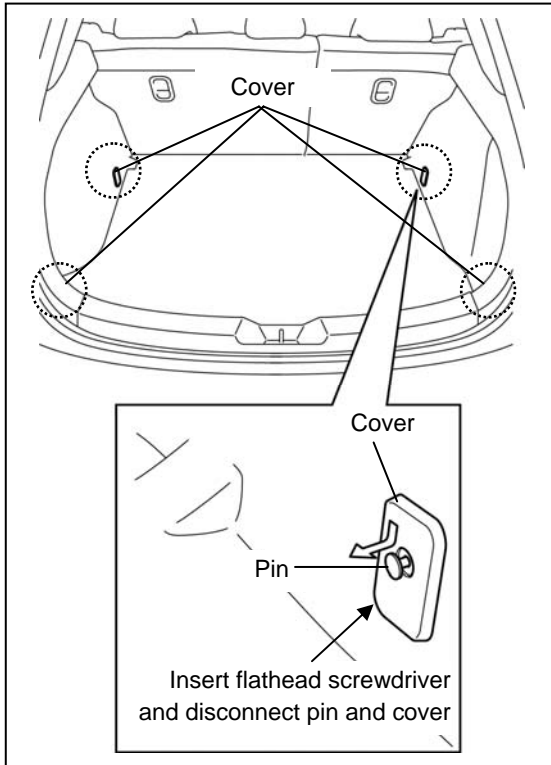
<p>Be sure to cover the vehicle body with protectors or mats to prevent stains, scratches and damage when removing/installing the vehicle parts</p>	<p>Using improper tools may cause damage and or broken parts. Use the correct tool for the job.</p>	<p>Wrap protective tape around screwdrivers and fastener remover tools to prevent scratching the vehicle.</p>	<p>Put the removed parts and the parts in the kit on the protective sheet to prevent scratches.</p>

Advice

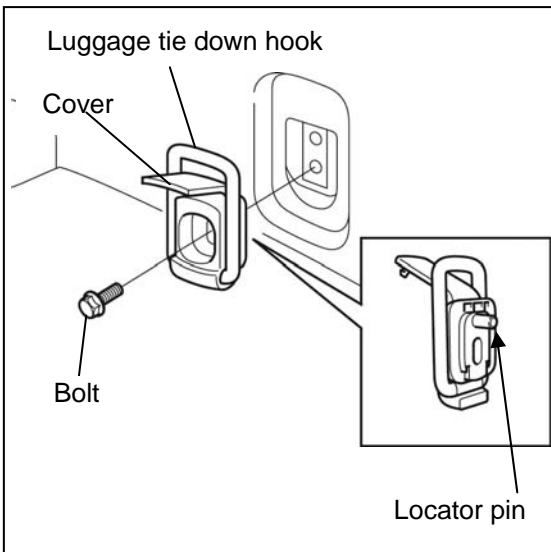
Refer to the Workshop Manual for removal and installation of vehicle parts.
Not following the procedures for removal/installation in the Workshop Manual could result in an accident or vehicle malfunction.



4. INSTALLATION OF LUGGAGE TIE DOWN HOOK



1. Insert a tape-wrapped flathead screwdriver into the center of the cover and remove the pin and cover (4 locations).



2. Install luggage tie down hook and tighten the bolts (4 locations)

Tightening torque Bolt: (4.0—6.0 N·m)

3. Close the cover.

-TO THE CUSTOMER-

- The maximum load which can be placed on a luggage tie down hook is 10 kg. Any heavier load could cause damage.
- The luggage tie down hooks are used for securing the luggage net. Do not use the hooks for any other purpose; otherwise, it could cause damage.

Date _____, _____, _____				
VIN _____				
Approved		Checked		Person in charge

INSTALLATION INSPECTION SHEET	MAZDA3 (5HB)	Luggage tie down hook
		BHN9 V0 520

Perform the following inspections

1. Inspection items after installation

Check

- Verify the fitting between the vehicle part and the installed part, and inspect for damage or dirt.

2. Installation of accessory, operation check

Inspected part	Inspection item	Inspection	Check
Luggage tie down hook	Looseness	Inspect the installation area for looseness.	